

The HGMP electronic motor protection relay provides protection for the motor system from unstable condition of power system and maximizes utilization rate with user-friendly advanced motor protection functions.

Features by Model Type

Normal Type

Provides core motor protection functions to enable economical and practical motor control.
Earth leakage or instantaneous protection functions can be selected as options.

Advanced Type

All normal type features are offered, in addition protection function delay can be set in detail to implement more optimized motor protection system.
Optional RS-485/Modbus communication feature enables relay integration into the user's system management network.

Rated Current

0.5 ~ 60 A

Operational Reliability

Real-time data processing based on 32-bit ARM Core MCU
Rogowski CT provides highprecision measurement.

Control Power Range

100 ~ 240 VAC (50/60 Hz), 100 ~ 240 VDC

Multiple Protection Functions

Multiple motor protection relay functions
Overload warning
Real-time load rate display

User Convenience

Trip history log and display
Cumulative operating time counter



Earth Leakage HGMP N60 Z



Instantaneous HGMP N60 I

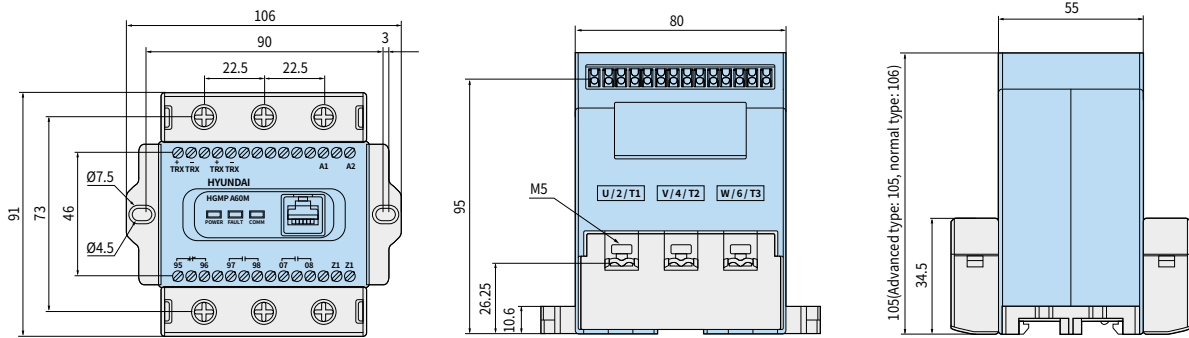


HGMP A60

Dimensions

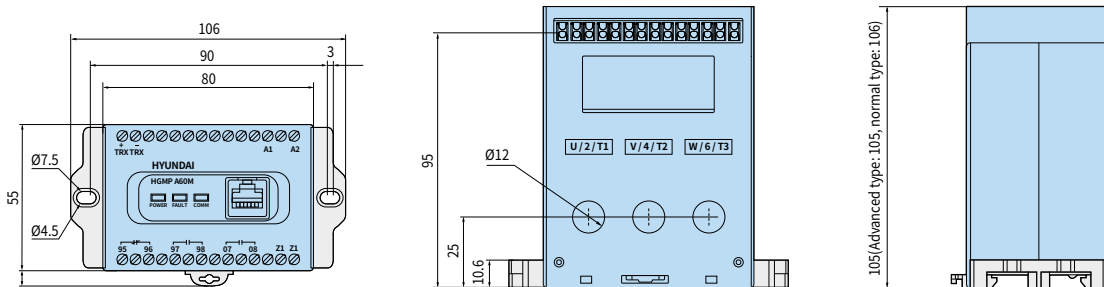
Main Unit and Screw Type

Unit : mm



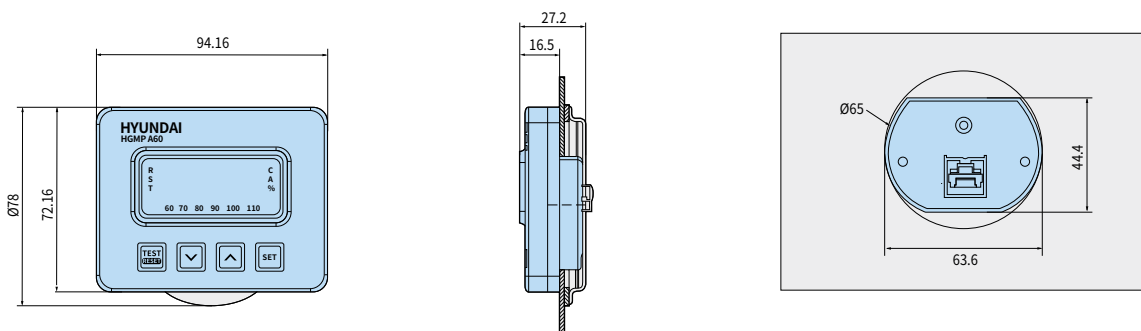
Main Unit and Tunnel Type

Unit : mm



Panel Installation of the Display Unit

Unit : mm



※ The sizes of the normal type and advanced type are same excluding the height of the product.

Order Code

Order Process

MPR	HGMP	N60	Z	S	T	F220	
Product Category	Model Name	Type and A/F	Normal Type Protection Features ¹⁾		Panel Installation Type	Contact Type	Control Voltage
		N60 Normal Type	Z Earth Leakage Type	S Separated Unit	T Tunnel Type	F220 AC/DC 100 ~ 240 V	
		A60 Advanced Type	I Instantaneous Type	I Integrated Unit ³⁾	S Screw Type		
			Advanced type comm. feature ²⁾				
			N None				
			M Modbus				

※ **1)** Indicates the optional protection function for the normal type model
2) Indicates the availability of the communication feature for the advanced type model
3) Only the separated unit type is available for the A60 advanced type