

# 5. Characteristics and Dimensions

## Molded-case Circuit Breakers

NF250-CV  
NF250-SV  
NF250-HV

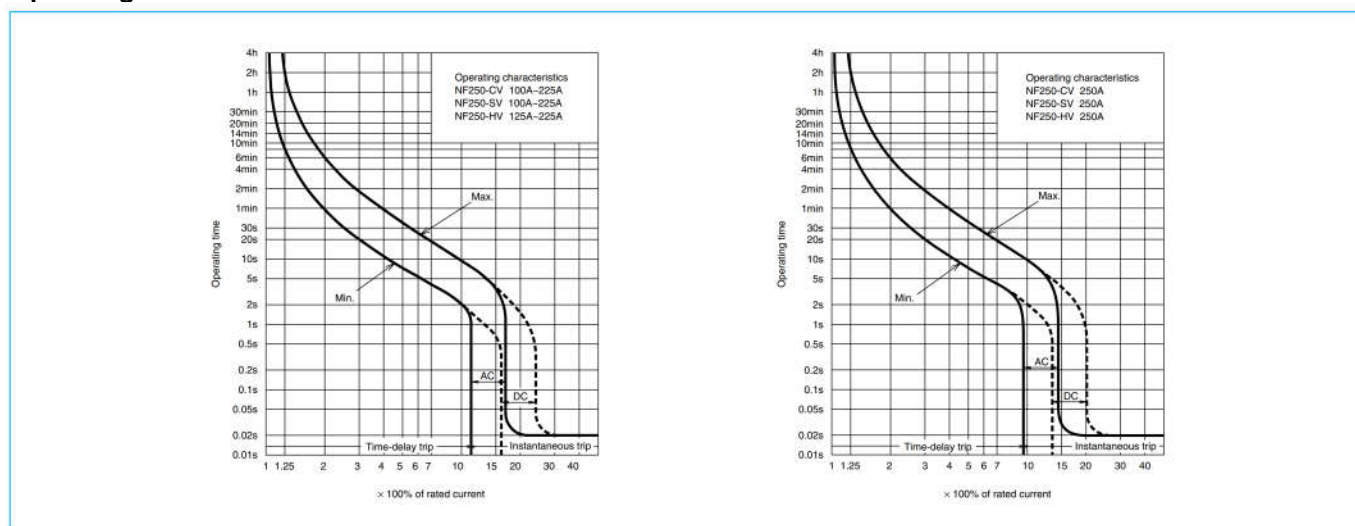


NF250-SV

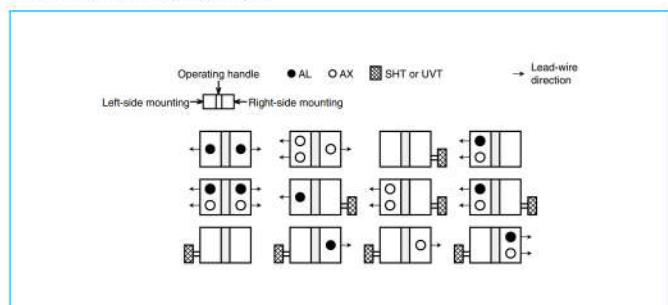
Type name		NF250-CV	NF250-SV	NF250-HV
Rated current In (A)		(*1) (100) 125 150 175 200 225 250	(*1) (100) 125 150 160 175 200 225 250	125 150 160 175 200 225 250
Number of poles		2	3	2 3 4
Rated insulation voltage Ui (V)		600	690	690
Rated short-circuit breaking capacity (kA)	IEC 60947-2 AC	690V	—	8/8
		500V	10/8	30/30
		440V	15/12	36/36
		415V	25/19	36/36
		400V	25/19	36/36
		380V	25/19	36/36
	DC (*1)	230V	36/27	85/85
250V	15/12	20/20 (300V)	40/40 (300V)	
Standard attached parts (front connection)		Mounting screw: M4×0.7×55 (2 and 3P: 2pcs, 4P: 4pcs) Insulation barrier: (2P: 2pcs, 3P: 4pcs, 4P: 6pcs)		

Note: \*1 Use two poles for three- and four-pole products. In this case, do not use the neutral pole of the four-pole products.  
If wired as shown at the bottom of page 13, three-pole NF250-CV can be used for up to 400VDC, three-pole NF250-SV and NF250-HV up to 500V and four-pole products up to 600VDC.

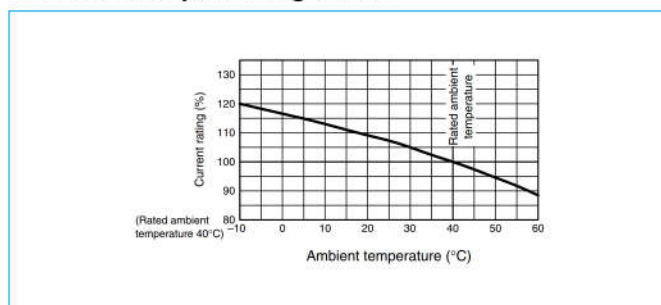
### Operating Characteristics



### Internal Accessories



### Ambient Compensating Curve

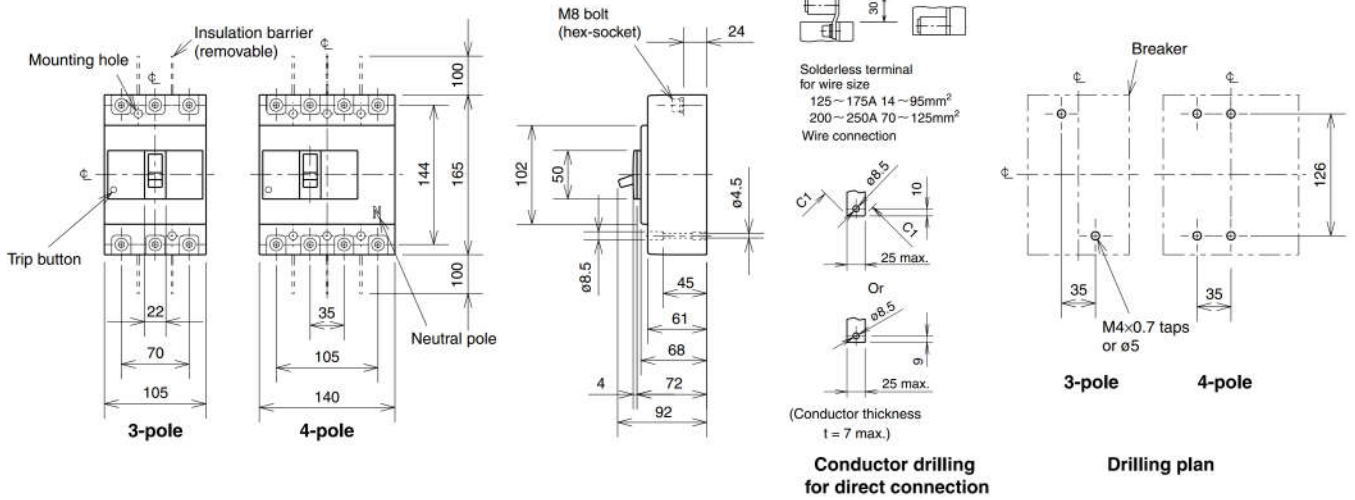


### External Accessories

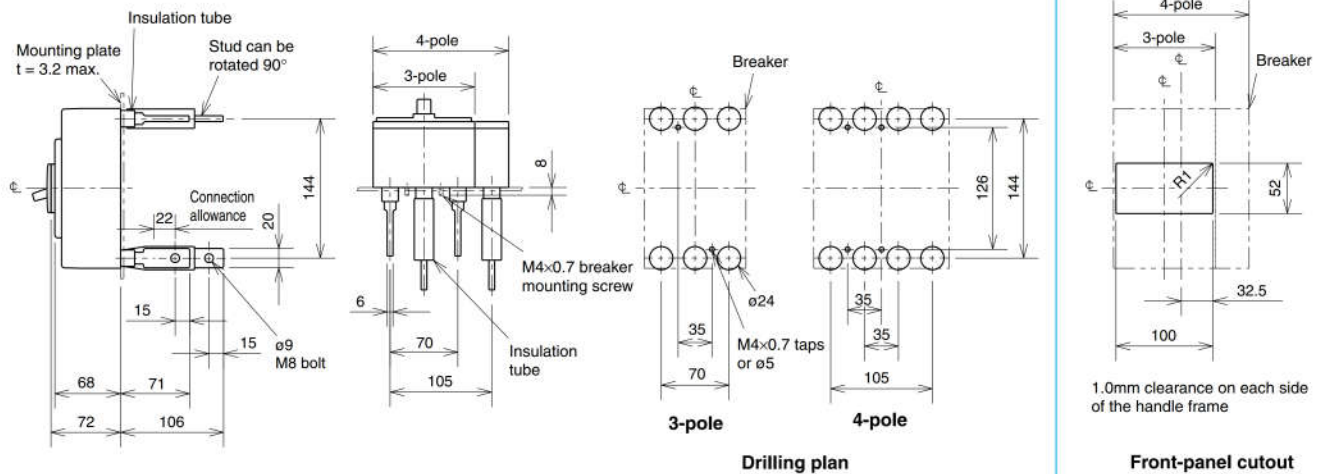
Accessories	Type name	Reference page	Accessories	Type name	Reference page		
Operating handle	F	F-2SV	Mechanical interlock	MI	2, 3P MI-05SV3		
	V	V-2SV		4P MI-2SV4	40		
	S	S-2SV	39	Terminal cover	Small	TC-S	2, 3P TCS-2SV3
Handle lock device	LC	LC-05SV	Large		TC-L	2, 3P TCL-2SV3	
	(*1) HLF	HLF-05SV			4P TCL-2SV3L		
	HL	HLN-05SV	Skeleton		TTC	2, 3P TTC-2SV3	
	HL-S	HLS-2SV	Rear		BTC	2, 3P BTC-2SV3	
			Plug-in	PTC	2, 3P PTC-2SV3		
			Electrical operation device	(*2)	40		

Notes: \*1 HLF types are used for OFF-lock and HLN types for ON-lock.  
\*2 Specify the working voltage. Refer to the reference page for type name.  
\*3 Available for NF250-CV/SV.

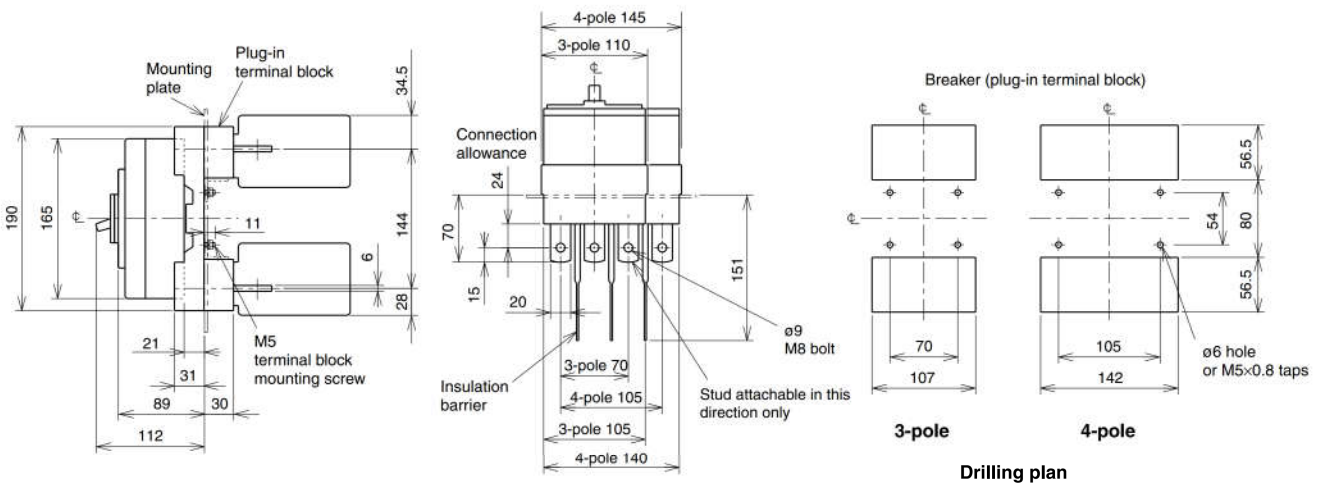
## Front connection



## Rear connection



## Plug-in



Remarks: 1. two-pole models are three-pole models with the central pole removed.  
2. Only two- and three-pole models are available for NF250-CV.